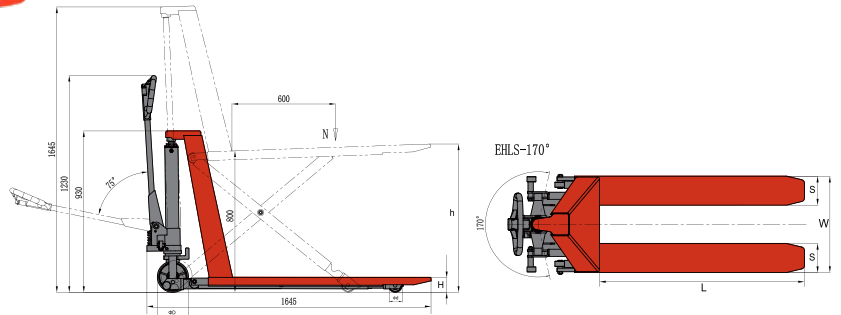


# EHLS

## SEMI ELECTRIC HIGH LIFT PALLET TRUCK



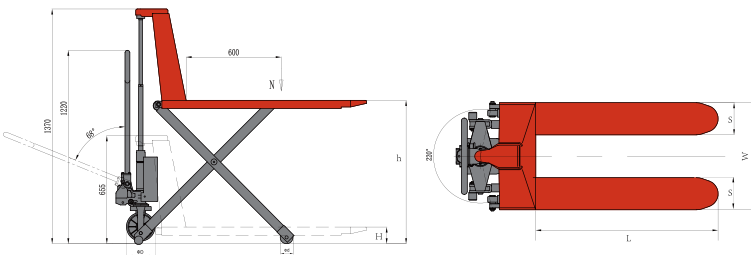
MODEL		EHLS1000N	EHLS1500N	SEHLS1000N	SEHLS1500N	
1.1	Capacity	kg	1000	1500	1000	1500
1.2	Min. fork height	H mm	85	85	85	85
1.3	Max.fork height	h mm	800	800	800	800
1.4	Size of fork	s mm	160x50	160x50	160x50	160x50
1.5	Fork overall width	W mm	540/680	540/680	540/680	540/680
1.6	Fork length	L mm	1150	1150	1150	1150
1.7	Size of load wheel	Φd mm	80x70	80x70	80x70	80x70
1.8	Load wheel		Nylon/PU	Nylon/PU	Nylon	Nylon
1.9	Size of steering wheel	ΦD mm	180x50	180x50	180x50	180x50
1.10	Steering wheel		Nylon/PU/Rubber	Nylon/PU/Rubber	Nylon	Nylon
1.11	Battery		12V/65Ah	12V/65Ah	12V/65Ah	12V/65Ah
1.12	Lifting motor power	kw	0.8	0.8	0.8	0.8
1.13	Weight	kg	145/160	157/162	143/148	155/160
1.14	Material		NORMAL	NORMAL	STAINLESS	STAINLESS



# HLD

## MANUAL HIGH LIFT PALLET TRUCK

MODEL		HLD1000	HLD1500	SHLD1000N	
1.1	Capacity	kg	1000	1500	1000
1.2	Min. fork height	H mm	85	85	85
1.3	Max.fork height	h mm	800	800	800
1.4	Size of fork	S mm	160x50	160x50	160x50
1.5	Fork overall width	W mm	540/680	540/680	540/680
1.6	Fork length	L mm	1150	1150	1150
1.7	Size of load wheel	Φd mm	80x50	80x50	80x50
1.8	Load wheel		Nylon/PU	Nylon/PU	Nylon
1.9	Size of steering wheel	ΦD mm	180x50	180x50	180x50
1.10	Steering wheel		Nylon/PU/Rubber	Nylon/PU/Rubber	Nylon
1.11	Pump		Quick Lift	Quick Lift	Quick Lift
1.12	Weight	kg	95/97	99/102	95/97
1.13	Material		NORMAL	NORMAL	STAINLESS



- ◆ With pressure relief valve and overload valve to prevent pump damages when loads exceeds weight limits.





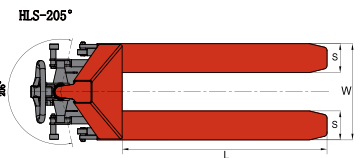
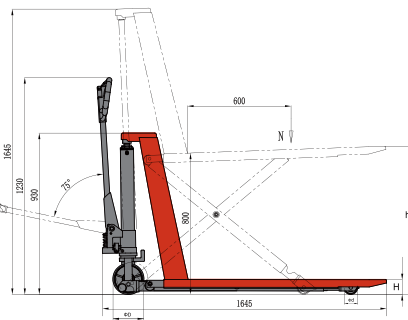
- ◆ PU steering wheel and fork rollers as standard option for damp or harsh environments applications.

# HLS

## MANUAL HIGH LIFT PALLET TRUCK

Scissor lift pallet truck design to load and unload conveyor, feed presses, or any applications requiring moving and positioning pallets or containers of materials.

MODEL		HLS1000N	HLS1500N	SHLS1000N	SHLS1500N	
1.1	Capacity	kg	1000	1500	1000	1500
1.2	Min. fork height	H mm	85	85	85	85
1.3	Max.fork height	h mm	800	800	800	800
1.4	Size of fork	S mm	160x50	160x50	160x50	160x50
1.5	Fork overall width	W mm	540/680	540/680	540/680	540/680
1.6	Fork length	L mm	1150	1150	1150	1150
1.7	Size of load wheel	Φd mm	80x70	80x70	80x70	80x70
1.8	Load wheel		Nylon/PU	Nylon/PU	Nylon	Nylon
1.9	Size of steering wheel	ΦD mm	180x50	180x50	180x50	180x50
1.10	Steering wheel		Nylon/PU/Rubber	Nylon/PU/Rubber	Nylon	Nylon
1.11	Pump		Quick Lift	Quick Lift	Quick Lift	Quick Lift
1.12	Weight	kg	113/116	125/130	110/113	123/128
1.13	Material		NORMAL	NORMAL	STAINLESS	STAINLESS



- ◆ Equipped with quick lift function doubles the lift speed for loads lighter than 200kg.
- ◆ With pressure relief valve and overload valve to prevent pump damages when loads exceeds weight limits.
- ◆ The enclosed fork tips and reinforced fork frames ensure long service life.

