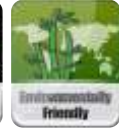




Let's grow together



ET-Scale

浙江中力机械设备有限公司
EP EQUIPMENT CO., LTD.



Mini

Ingenious designed, increase the space utilization

- ☒ Small body to save space
Small size makes passing in narrow pathway easily
Agility and convenience in operation
- ☒ Light body makes operation conveniently
Economic and energy saving
- ☒ High quality with good price, origin design revolutionary truck in forklift industry
60AH Battery, energy saving and environment protective

Poweri

High quality assembly from the relative or the near industries makes strong power system and high steadiness in quality.

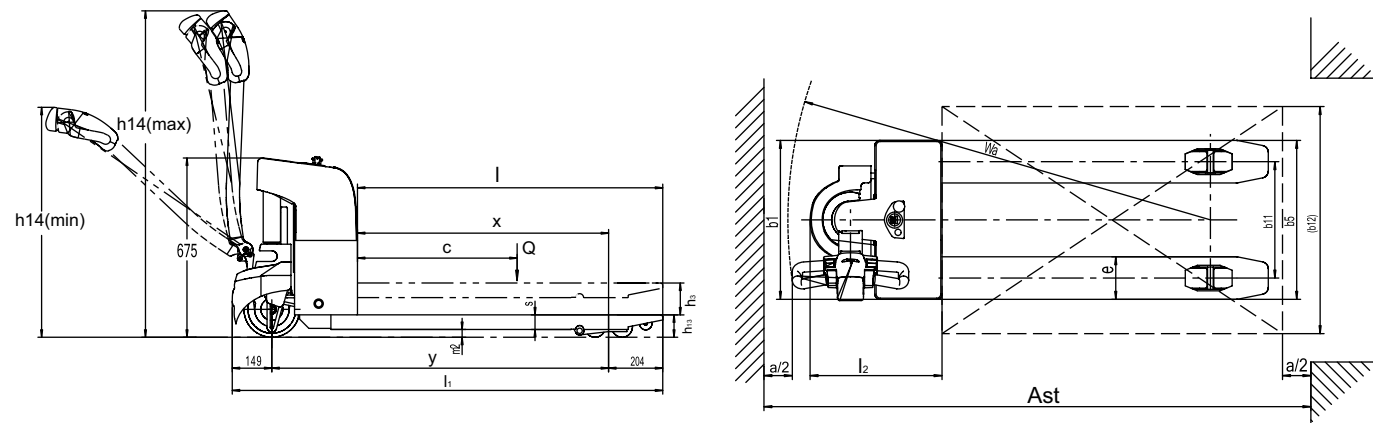
- ☒ Strong power, easy work
Capacity 1.5 ton, solving all problems in goods transit
Comparing to hand pallet truck, more efficient and convenient while lifting, lowering and walking
High quality assembly makes the truck durable
- ☒ Solid body frame

Delicacy

Reasonably removing unnecessary accessories to save materials and improve body frame intensity



ET-Scale



Characteristics			
1.1	Manufacturer		EP
1.2	Model designation		ET-Scale
1.3	Drive unit		Battery
1.4	Operator type		Walkie
1.5	Load capacity	Q (kg)	1500
1.6	Load center	c (mm)	600
1.8	Load distance (Raised/ Lowered)	x (mm)	883/946
1.9	Wheelbase	y (mm)	1250
Weights			
2.1	Service weight (Incl. battery)	kg	205
2.2	Axle loading, laden operator/load side	kg	550/1155
2.3	Axle loading, unladen operator/load side	kg	25/180
Wheels, Chassis			
3.1	Tyre type		PU/ PU
3.2	Tyre size, operator side		Φ 210x70
3.3	Tyre size, load side		2x Φ80x60
3.4	Wheels, number operator/load side (x=drive wheels)		1x /4
3.5	Tread, load side	b ₁₁ r(mm)	380
Dimensions			
4.1	Lift height	h ₃ r(mm)	115
4.2	Height of tiller arm in operating position, min/ max	h ₁₄ r(mm)	820/1170
4.3	Fork height, lowered	h ₁₃ r(mm)	85
4.4	Overall length	l ₁ r(mm)	1600
4.5	Length to face of forks	l ₂ r(mm)	450
4.6	Overall width	b ₁ / b ₂ r(mm)	560
4.7	Fork dimensions	s/ e/ l (mm)	55/150/1150
4.8	Fork spread, min/ max	b ₅ r(mm)	560 856
4.9	Ground clearance, center of wheelbase	m ₂ r(mm)	35
4.10	Aisle width, 1000×1200 pallet crossways	Ast (mm)	1779
4.11	Aisle width, 800×1200 pallet lengthways	Ast (mm)	1929
4.12	Outer turning radius	Wa (mm)	1475
Performance			
5.1	Travel speed, laden/ unladen	km/ h	3.5/4
5.2	Lifting speed, laden/ unladen	m/ s	0.051/ .0060
5.3	Lowering speed, laden/ unladen	m/ s	0.052/ .0059
5.4	Maximum gradeability, laden/ unladen 5min.	%	2/6
5.5	Service brake		Electromagnetic
Drive			
6.1	Drive motor rating S 6 min.	kW	0.65
6.2	Lift motor rating at S 1%	kW	0.84
6.3	Battery voltage/ rated capacity (5h)	V/ Ah	24/60
6.4	Battery weight	kg	45
6.5	Battery compartment dimensions l/ w/ h	mm	260/168/218
6.6	Battery type		Maintenance free
Others			
7.1	Type of drive control		DC
7.2	Manufacturer		CURTIS
7.3	Sound level at operator's ear	dB (A)	74
Scale			
8.1	System tolerance	Kg	1
8.2	Power supply		12V inner batteries
8.3	With Printer		No



浙江中力机械有限公司
<http://www.ep-zl.com>
 E-mail:info@ep-zl.com