



EFL252

Electric Counterbalance Forklift Truck 2.5T **LI-ION** TECHNOLOGY

- Compact size
- High strength components
- Lithium-ion technology
- Telematics
- Low TCO

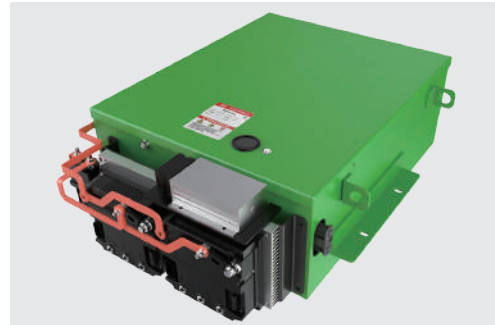
EP EQUIPMENT CO.,LTD
www.ep-ep.com



FEATURE

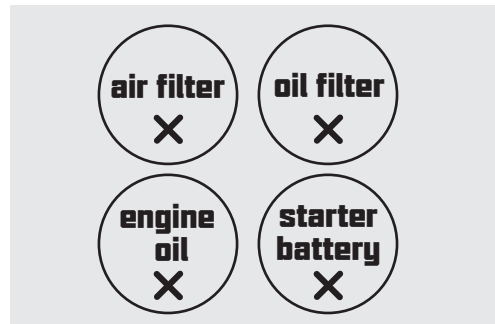
■ Lithium-ion technology

EFL252 adapts LFP Li-ion battery that prevents the battery from self-ignition and ensures safety operation. It supports opportunity charging so it can be charged at preferable time during the day without disrupting working schedules.



■ Low TCO

Comparing to a diesel forklift truck, EFL252 saves 30%-50% of energy cost with li-ion technology. And there is no maintenance fee with no air filter, oil filter, engine oil or starter battery installed on the truck.



■ Compact size

The overall length of EFL252 is 3573 mm that is 5% more compacted in size than a regular IC forklift to be used in narrow aisle.



■ IPX4 rated water-protected design

The EFL252 is IPX4 rated and that protects the trucks from splash of water from different angles. The water-proofed design allows the trucks to be operated outdoors, even in the rain.



■ Telematics

EFL252 offers EP's latest Telematics. It provides the following features to facilitate your fleet management:

- Truck location in real-time
- Reports of truck usages and diagnosis
- Li-ion battery condition analytics
- Updates on card access registration

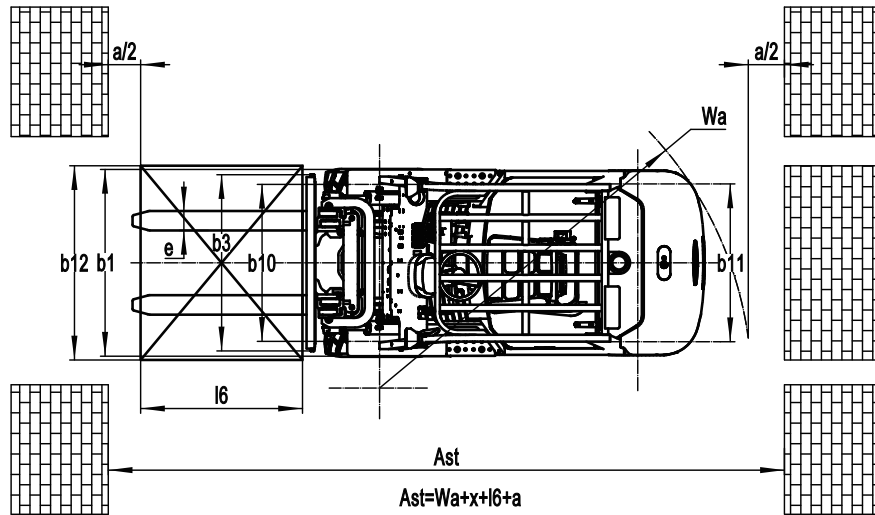
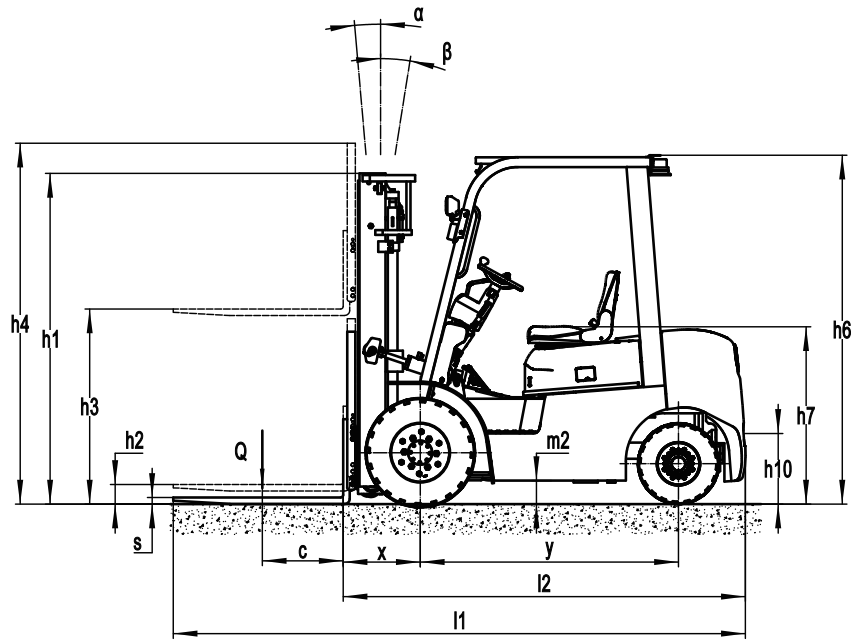


Electric Counterbalance Forklift Truck 2.5T

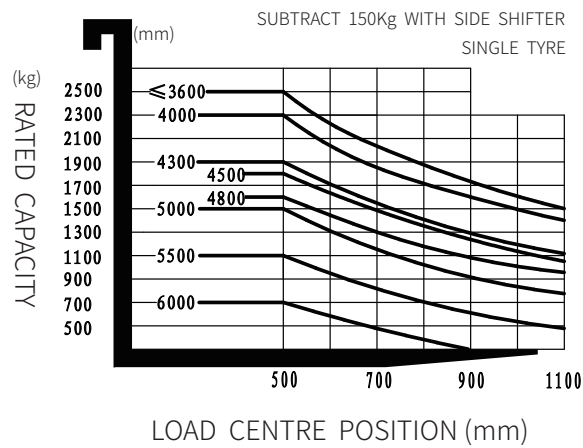
EFL252

| | | | | | |
|---------------------|------------------|---|---|------------|--------------|
| Distinguishing mark | 1.1 | Manufacturer | | | EP |
| | 1.2 | Model designation | | | EFL252 |
| | 1.3 | Drive | | | Electric |
| | 1.4 | Operator type | | | Seated |
| | 1.5 | Load capacity | Q | kg | 2500 |
| | 1.6 | Load center distance | c | mm | 500 |
| | 1.8 | Load distance, centre of drive axle to fork | x | mm | 495 |
| | 1.9 | Wheelbase | y | mm | 1595 |
| | Service weight | 2.1 | Service weight | | kg |
| 2.2 | | Axle loading, laden front/rear | | kg | 5530/800 |
| 2.3 | | Axle loading, unladen front/rear | | kg | 1480/2350 |
| Tyres/chassis | 3.1 | Tyre type | | | Solid rubber |
| | 3.2 | Tyre size, front | | | 7.00-12 |
| | 3.3 | Tyre size, rear | | | 6.00-9 |
| | 3.5 | Wheels, number front/rear (x=drive wheels) | | mm | 2x/2 |
| | 3.6 | Tread width, front | b10 | mm | 970 |
| | 3.7 | Tread width, rear | b11 | mm | 975 |
| Dimensions | 4.1 | Tilt of mast/fork carriage forward/backward | α/β | ° | 6/10 |
| | 4.2 | Retracted mast height | h1 | mm | 2060 |
| | 4.3 | Free lift | h2 | mm | 140 |
| | 4.4 | Lift height | h3 | mm | 3000 |
| | 4.5 | Height, mast extended | h4 | mm | 4050 |
| | 4.7 | Height of overhead guard (cabin) | h6 | mm | 2160 |
| | 4.8 | Seat height/standing height | h7 | mm | 1095 |
| | 4.12 | Tow coupling height | h10 | mm | 435 |
| | 4.19 | Overall length | l1 | mm | 3573 |
| | 4.20 | Length to face of forks | l2 | mm | 2503 |
| | 4.21 | Overall width | b1/b2 | mm | 1154 |
| | 4.22 | Fork dimensions | s/e/l | mm | 40×125×1070 |
| | 4.23 | A,B Fork carriage class/type A, B | | | 2A |
| | 4.24 | Fork carriage width | b3 | mm | 1090 |
| | 4.31 | Ground clearance, laden, below mast | m1 | mm | 100 |
| | 4.32 | Ground clearance, center of wheelbase | m2 | mm | 150 |
| | Performance data | 4.34.1 | Aisle width for pallets 1000×1200 crossways | Ast | mm |
| 4.34.2 | | Aisle width for pallets 800×1200 crossways | Ast | mm | 4195 |
| 4.35 | | Turning radius | Wa | mm | 2290 |
| 5.1 | | Travel speed, laden/unladen | | km/h | 11/12 |
| 5.2 | | Lifting speed, laden/unladen | | m/s | 0.28/0.37 |
| 5.3 | | Lowering speed, laden/unladen | | m/s | 0.45/0.5 |
| 5.5 | | Drawbar pull, laden/unladen | | N | — |
| 5.6 | | Max. drawbar pull, laden/unladen | | N | — |
| 5.8 | | Max. gradeability, laden/unladen | | % | 15/15 |
| 5.10 | | Service brake | | | Hydraulic |
| 5.11 | Parking brake | | | Mechanical | |
| Electric-engine | 6.1 | Drive motor rating S2 60 min | | kW | 10 |
| | 6.2 | Lift motor rating at S3 15% | | kW | 12 |
| | 6.4 | Battery voltage/nominal capacity | | V/Ah | 80/205 |
| | 6.5 | Battery weight | | kg | — |
| Addition data | 8.1 | Type of drive control | | | AC |
| | 10.5 | Steering design | | | Hydraulic |
| | 10.7 | Sound pressure level at the driver's ear | | dB(A) | < 74 |

If there are improvements of technical parameters or configurations, no further notice will be given.
The diagram shown may contain non-standard configurations.



RATED CAPACITIES



Option

| No. | Optional items | EFL252 |
|------|----------------------|---|
| 1.1 | Fork dimension | ○122*40*920●122*40*1070○122*40*1150○122*40*1220 ○122*40*1370○122*40*1500○122*40*1600○122*40*1700 ○122*40*1820○122*40*1900○122*40*2000○122*40*2200 |
| 1.4 | Fork carriage width | ●1040mm○Yes and can be customized |
| 1.5 | Fork carriage height | ●1025mm○Yes and can be customized |
| 2.5 | Front wheel material | ●solid○Non-marking tires |
| 2.6 | Rear wheel material | ●solid○Non-marking tires |
| 2.7 | Battery capacity | ●80V205AH○80V280AH○80V410AH |
| 2.8 | Charger | ●80V35A○80V65A○80V130A ○80V200A (Only for 80V410AH battery) ○80V35A (Internal single-phase) ○80V60A (Internal) |
| 2.9 | Battery indicator | ●With time |
| 2.10 | Seat type | ●premium○suspension○suspension+ seatbelt logic switch |
| 2.11 | Attachments | ●No○Built-in sideshifter○External sideshifter○Fork positioner |
| 2.13 | Traction pin | ●Yes |
| 3.5 | Front lamp | ●LED |
| 3.6 | Rear lamp | ●No○LED |
| 3.7 | Warning lamp | ●Yes |
| 3.8 | Steering lamp | ●Yes |
| 3.9 | Blue lamp | ●No○2 front○1 rear○2 front+1 rear |
| 3.10 | Area warning lamp | ●No○1 left, 1 right (Red) |
| 3.11 | Rearview mirror | ●1 in the middle○ Add 1 rearview mirror on both sides |
| 3.17 | OPS system | ●Yes |
| 3.23 | Telematics | ●No○Yes and not customized |
| 4.3 | Cabin | ●No○Basic semi-enclosed cabin○Upgrade semi-enclosed cabin ○Full cabin |
| 4.9 | Heater | ●No○Yes and not customized |

Note: ● standard ○ option — NA

Mast Option

| Mast types | Lift height (h3) | Height, Mast | | | Height, Free lift(h2) | |
|-----------------|---------------------|-----------------------------|---------------------------|------|-----------------------|---------------|
| | | Height, mast lowered(h1) | Height, mast extended(h4) | | No shelving | With shelving |
| | No shelving | | With shelving | mm | | |
| 2-Standard Mast | 3000 | 2075 | 3565 | 4025 | 140 | 140 |
| | 3300 | 2225 | 3865 | 4325 | 140 | 140 |
| | 3600 | 2375 | 4165 | 4625 | 140 | 140 |
| | 4000 | 2625 | 4565 | 5025 | 140 | 140 |
| 2-Free Mast | 3000 | 2035 | 3565 | 4025 | 1470 | 1000 |
| | 3300 | 2185 | 3865 | 4325 | 1620 | 1150 |
| 3-Free Mast | 4300 | 2035 | 4865 | 5325 | 1470 | 1000 |
| | 4500 | 2115 | 5065 | 5525 | 1550 | 1080 |
| | 4800 | 2220 | 5365 | 5825 | 1655 | 1185 |
| | 5000 | 2305 | 5565 | 6025 | 1740 | 1270 |
| | 5500 | 2555 | 6065 | 6525 | 1990 | 1520 |
| | 6000 | 2805 | 6565 | 7025 | 2240 | 1770 |